

*The*  
**POWER** *In*  
**PRESENTATION PRODUCTS**



**Instruction Book for  
PROFESSIONAL ELECTROL®**



**DA-LITE SCREEN COMPANY, INC.**

3100 North Detroit Street  
Post Office Box 137  
Warsaw, Indiana 46581-0137  
Phone: 574/267-8101  
800-622-3737  
Fax: 574/267-7804  
[http:// www.da-lite.com](http://www.da-lite.com)  
e-mail: [info@da-lite.com](mailto:info@da-lite.com)

## PRE-INSTALLATION

1. Carefully unpack screen.
2. Make sure to recheck measurements of screen location before installation.
3. Remove instruction cover plate (Fig. 2). Do not remove wrapping paper or tape strips until screen is installed.

### IRONING BOARD

Professional Electrols contain an ironing board to flatten the fabric (long strip attached). The ironing board is part of the screen. Do not remove or alter (Fig. 1).

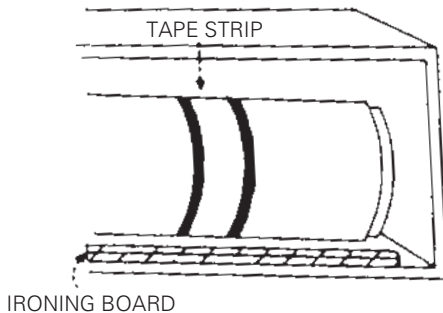


FIGURE 1

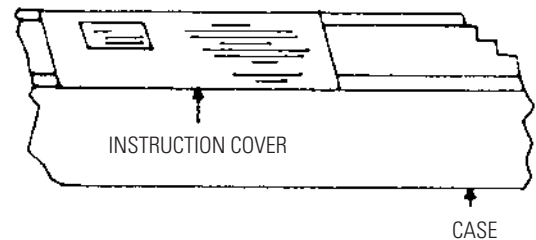


FIGURE 2

## INSTALLATION

### Hangers (If required)

1. Make sure a hanger is approximately 11-1/2" from each end of case.
2. Place third hanger on the center line of the fabric.
3. Make sure hangers are placed to fit into notches of ironing board.

### Installation

1. Level unit lengthwise with a carpenter's plum level.

**CAUTION! DO NOT COMPLETELY SEAL IN UNIT. ACCESS ROOM MUST BE ALLOWED FOR MOTOR REPAIR OR FABRIC REPLACEMENT.**

2. Remove wrapping paper and tape strips (Fig. 3).

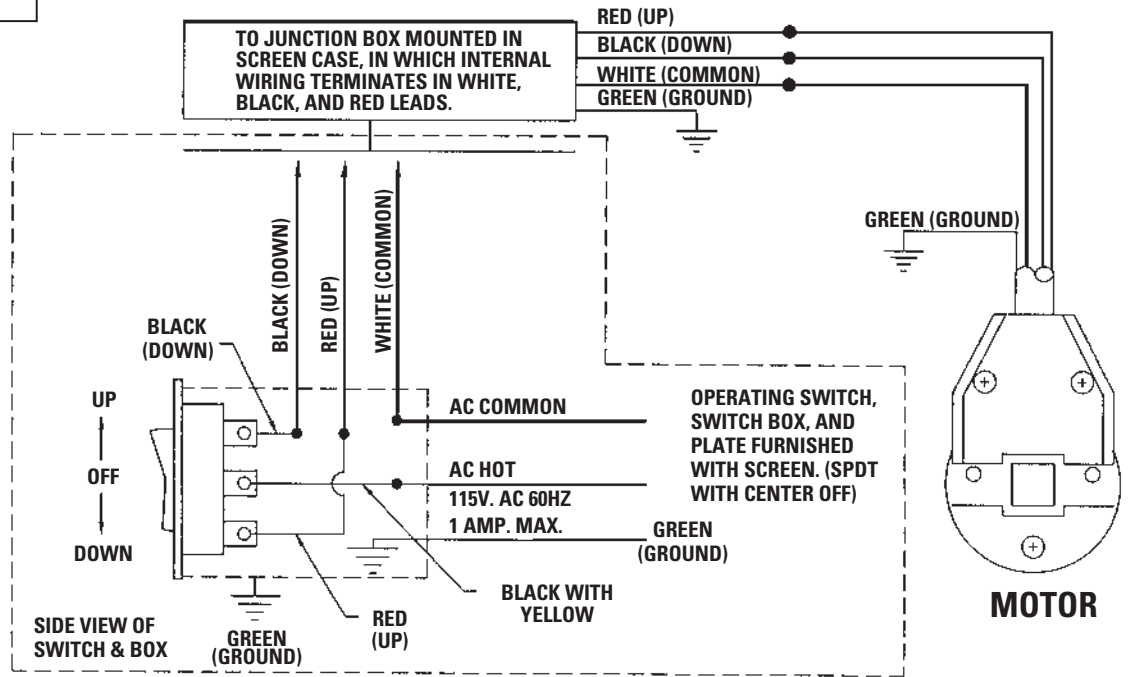
**CAUTION! DO NOT CUT WRAPPING PAPER OR TAPE WITH KNIFE OR ANY SHARP TOOL. REMOVE BY HAND.**

3. Install electrical hook up that applies to your unit. Make sure to review your Electrical Installation Checklists and wiring diagrams (included) for either 110 volt switch, 220/240 volt switch, or DRC low voltage control.
4. Test installation by carefully running surface up and down several times. Be prepared to stop screen.

**NOTE: The picture surface, when rolled down, should have at least a full wrap and a half around the roller. Do not allow any part of the roller to become exposed.**

**120V WIRING DIAGRAM**

IN MULTIPLE CONTROL INSTALLATIONS THE SWITCH IS REPLACED BY THE LOW VOLTAGE CONTROL, OPERATED FROM PUSH BUTTON STATIONS.

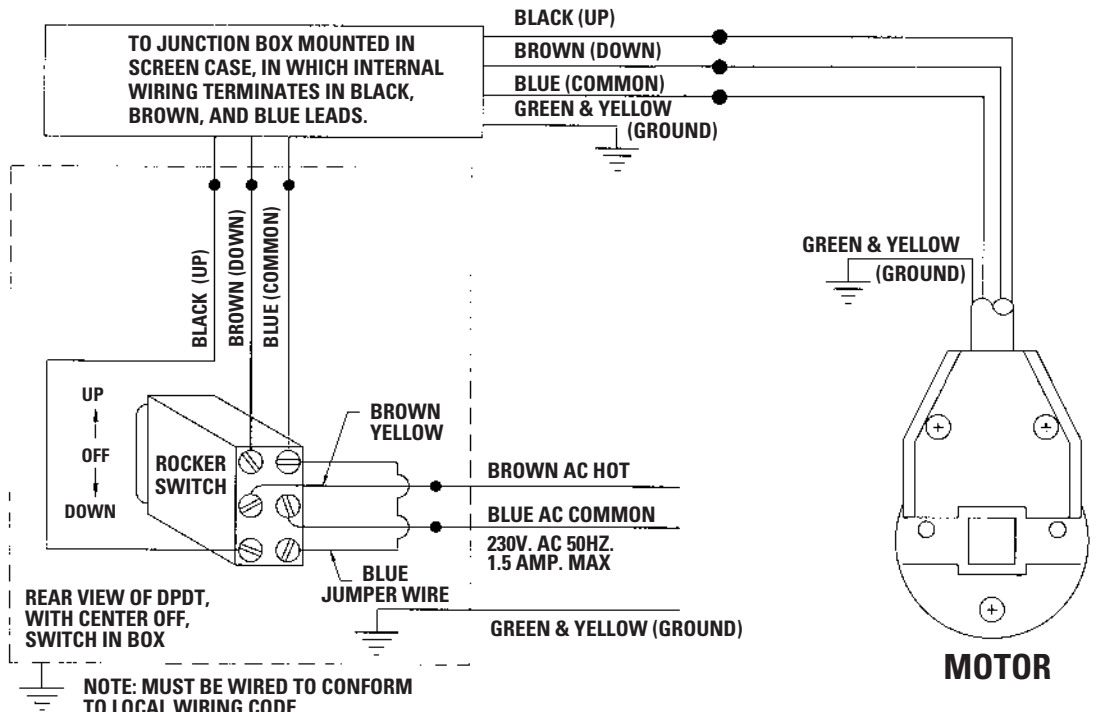


THIS SWITCH CANNOT BE USED WITH L.V.C.

NOTE: A SINGLE SWITCH CANNOT BE USED TO OPERATE MORE THAN ONE SCREEN. CONTACT THE FACTORY FOR FURTHER INFORMATION.

**220 / 240V WIRING DIAGRAM**

IN MULTIPLE CONTROL INSTALLATIONS THE SWITCH IS REPLACED BY THE LOW VOLTAGE CONTROL, OPERATED FROM PUSH BUTTON STATIONS.



NOTE: MUST BE WIRED TO CONFORM TO LOCAL WIRING CODE.

THIS SWITCH CANNOT BE USED WITH L.V.C.

NOTE: A SINGLE SWITCH CANNOT BE USED TO OPERATE MORE THAN ONE SCREEN. CONTACT THE FACTORY FOR FURTHER INFORMATION.

## TROUBLESHOOTING

SYMPTOM	CAUSE	SOLUTION
<p>1. Screen will not operate or will not go <b>"down."</b> Motor does <b>not</b> hum.</p> <p>Motor <b>hums.</b></p>	<p>(a) Blown facility fuse. (b) Tripped facility circuit breaker. (c) <b>No power</b> to operating switch or junction box.</p> <p><b>Power at junction box</b></p> <p>(d) Thermal overload tripped. (e) Broken wire in the <b>"down"</b> position. (f) Defective motor, limit switch or capacitor. (g) Temporary binding. (h) Capacitor burned out.</p>	<p>(a) Replace facility fuse. (b) Reset facility circuit breaker. (c) Check above. Tighten all loose wire connections. Recheck wiring. See installation instructions.</p> <p><b>"Down" Position</b> Check for power across black and white leads. (d) Let motor cool down for 15 minutes. Try again. (e) Check for continuity. (f) Replace motor assembly. <b>NOTE: Motor is a sealed assembly.</b> (g) With power <b>"off,"</b> turn roller by hand to free binding. (h) Replace motor assembly.</p>
<p>2. Screen will not move <b>upward.</b> Motor <b>does not</b> hum.</p> <p>Motor <b>hums.</b></p>	<p>(a) Blown facility fuse. (b) Tripped facility circuit breaker. (c) No power to operating switch or junction box.</p> <p><b>Power at junction box</b></p> <p>(d) Thermal overload tripped. (e) Broken wire in the <b>"up"</b> position. (f) Defective motor, limit switch or capacitor. (g) Temporary binding. (h) Capacitor burned out.</p>	<p>(a) Replace facility fuse. (b) Reset facility circuit breaker. (c) Check above. Tighten all loose wire connections. See above.</p> <p><b>"Up" Position</b> Check for power across red and white leads. (d) Let motor cool down for 15 minutes. Try again. (e) Check for continuity. (f) Replace motor assembly. <b>NOTE: Motor is a sealed assembly.</b> (g) With power <b>"off,"</b> turn roller by hand to free binding. (h) Replace motor assembly.</p>

## SCREEN ADJUSTMENT

Surface travel is stopped automatically in the fully opened and closed positions by limit switches that are properly adjusted at Da-Lite. Should it be necessary to adjust more or less drop of picture, proceed in the following manner:

**CAUTION!** WHEN ADJUSTING AND TESTING, BE PREPARED TO STOP SCREEN QUICKLY AS SERIOUS DAMAGE MAY OCCUR.

**NOTE:** Use a screw driver or allen wrench to make adjustments.

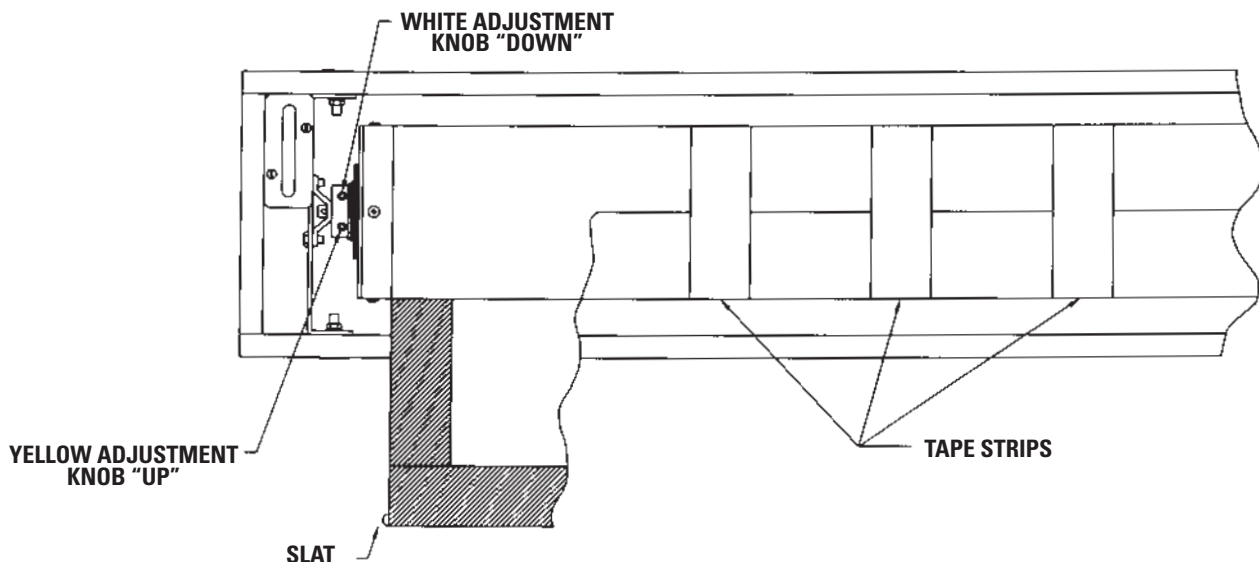
### MORE SCREEN DROP

1. Place operating switch in "down" position.
2. When the screen stops, turn the white "down" limit knob (Fig.3) one-quarter turn counterclockwise. Test by raising picture surface approximately two feet, then lower again. Repeat until desired picture surface position is attained.

**NOTE:** Must leave at least 1-1/2 wraps of fabric on roller.

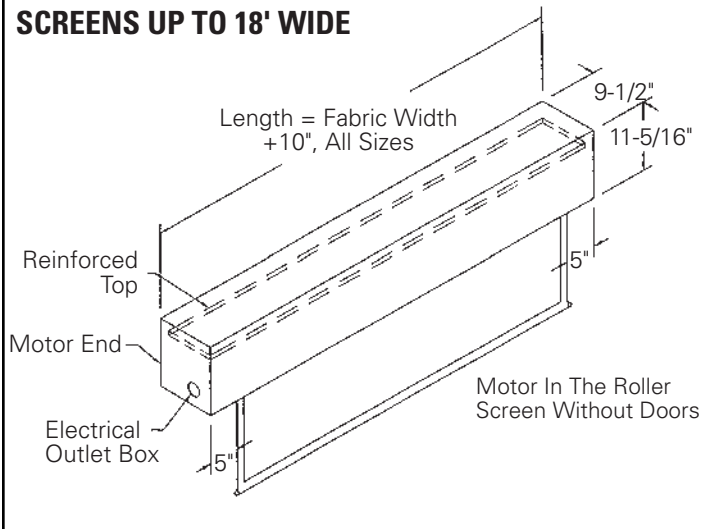
### LESS SCREEN DROP

1. Raise picture surface approximately two feet above desired level.
2. Place operating switch in "off" position.
3. Turn the white "down" limit switch (Fig. 3) one-quarter turn clockwise. Test by raising picture surface approximately two feet, then lower again. Repeat until desired picture surface position is attained.

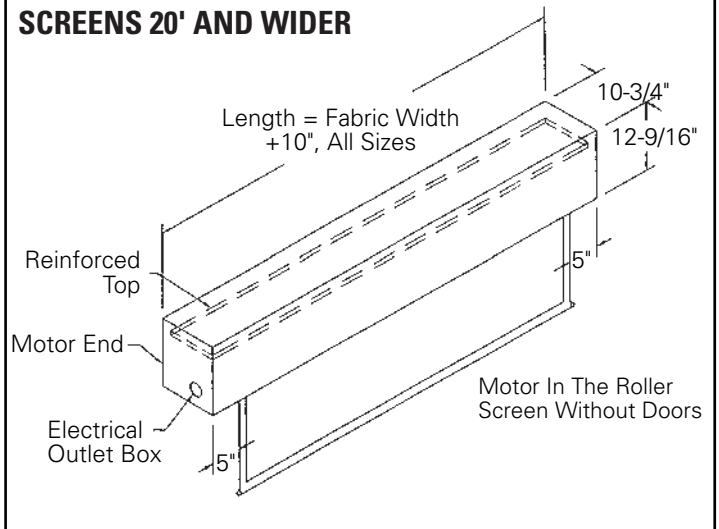


**FIGURE 3**

**SCREENS UP TO 18' WIDE**

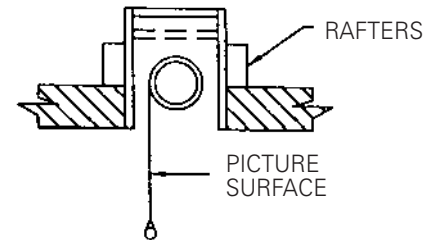
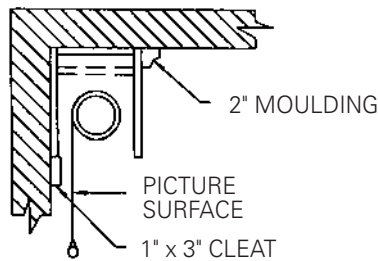
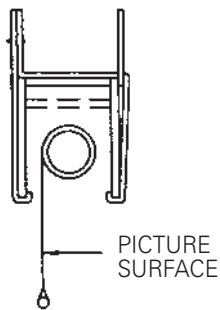


**SCREENS 20' AND WIDER**



**SUGGESTED METHODS OF INSTALLATION**

**CEILING TYPE HANGER**



**CEILING MOUNT WITHOUT HANGERS**

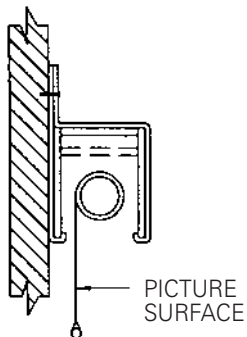
Screen case is placed flush with the wall and ceiling and held in position by moulding securely attached to the wall.

**RECESSED ABOVE CEILING**

Other methods of installation will suggest themselves in new buildings where it would be an easy matter to provide a recess for the screen to conceal it when not in use.

Do not seal in—allow access.

**WALL TYPE HANGER**



**WALL OR CEILING MOUNT WITH HANGERS**

Wall type hangers and ceiling type hangers are standard equipment. One set is supplied with each screen. Useful for recessed installations.

**FOR EXPOSED INSTALLATION**

If the screen is to be mounted in an exposed position, it may be covered with finished plywood, veneer, paneling, plastic wall covering or a valance.

## TROUBLESHOOTING

SYMPTOM	CAUSE	SOLUTION
3. <b>"Down"</b> limit switch incorrect.	(a) <b>"Down"</b> limit switch out of adjustment	(a) See installation instructions
4. Noise <b>NOTE:</b> Screen will operate with a low-pitched hum.	(a) Squeaking, rubber end plug rubbing on motor. (b) Grinding. Foreign object in screen rubbing on roller or fabric. (c) Gear noise.	(a) Center roller between mounting brackets by pushing roller away from motor end. (b) Remove foreign object. (c) Replace motor assembly.
5. Coasting	(a) Defective brake.	(a) Replace motor assembly.
6. Roller displaced from mounting bracket.	(a) Pin end slipped out of nylon bearing.	(a) Remove pin end mounting. Realign motor in tube. Reattach pin end.
7. Fabric hangs crooked.	(a) Screen not installed properly. (b) Fabric has backed up inside case. (c) Fabric is damaged.	(a) Check for level and plumb. (b) Adjust <b>"down"</b> limit switch slowly until roller is exposed and wrinkle comes out, then readjust for proper drop. (c) Replace fabric.

