

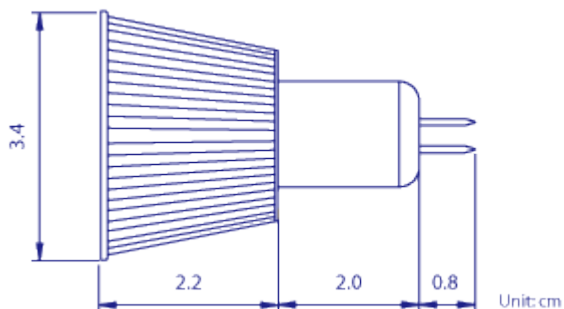
LINGO 蘋果光 4W 高亮白光 HIGH POWER LED 省電杯燈(MR-16/12v)

High-quality optical lens, body using electroplating aluminum alloy, small bulk , anti-collision, small power loss, and the Luminous is higher. The base uses heat-resistant and flame-resistant PC, and constant current devices inside.

View Angle : 10°,30°,40°,60°



使用 Edison 艾笛森 4W High power LED 高演色性 壽命長，不發熱，亮度高，光線均勻優美不刺眼，且具有低溫、低輻射與無紫外線之特點，適用於不耐高溫照射之植物、藝術品、食物等特殊照明。另外其壽命不受點滅次數影響，且無電磁波干擾之特性，亦適用於高精密之儀器、醫療設備與高科技廠房的最佳照明。



» Specifications

1. Bulb Type: Socket Drop-in Replacement Lamp Easy to Fixed
2. Front Lens: 10° Viewing Angle
3. Long Operating Time: Up to 20,000hrs
4. Front Lens Diameter: 34 mm
5. Front Lens Type: Optical Grade Plastic
6. Net Weight: 45 g
7. Total Length: 41 mm
8. Model Power: 4 W
9. Power Input: 12V AC/DC
10. LED Light Source: 780 mA
11. Optimized Thermal Management: Body temperature Below 60°C
12. No UV or IR radiation

» Luminous

- 6000K 150 Lm (White) = Optical Efficiency 40 Lm/W
- 3000K 90 Lm (Warm White) = Optical Efficiency 25 Lm/W

» Product Parameters

- 6000K 100 cm = 920 lux
- 3000K 100 cm = 850 lux

» Specifications

1. Bulb Type: Socket Drop-in Replacement Lamp Easy to Fixed
2. Front Lens: 30° Viewing Angle
3. Long Operating Time: Up to 20,000hrs
4. Front Lens Diameter: 34 mm
5. Front Lens Type: Optical Grade Plastic
6. Net Weight: 45 g
7. Total Length: 50 mm
8. Model Power: 4 W
9. Power Input: 12V AC/DC
10. LED Light Source: 780 mA
11. Optimized Thermal Management: Body temperature Below 60°C
12. No UV or IR radiation

» Luminous

- 6000K 150 Lm (White) = Optical Efficiency 50 Lm/W
- 3000K 90 Lm (Warm White) = Optical Efficiency 40 Lm/W

» Product Parameters

- 6000K 100 cm = 235 lux
- 3000K 100 cm = 200 lux

» Specifications

1. Bulb Type: Socket Drop-in Replacement Lamp Easy to Fixed

2. Front Lens: 40° Viewing Angle
3. Long Operating Time: Up to 20,000hrs
4. Front Lens Diameter: 34 mm
5. Front Lens Type: Optical Grade Plastic
6. Net Weight: 45 g
7. Total Length: 50 mm
8. Model Power: 4 W
9. Power Input: 12V AC/DC
10. LED Light Source: 780 mA
11. Optimized Thermal Management: Body temperature Below 60°C
12. No UV or IR radiation

» Luminous

- 6000K 150 Lm (White) = Optical Efficiency 50 Lm/W
- 3000K 90 Lm (Warm White) = Optical Efficiency 40 Lm/W

» Product Parameters

- 6000K 100 cm = 210 lux
- 3000K 100 cm = 180 lux

» Specifications

1. Bulb Type: Soc
2. ket Drop-in Replacement Lamp Easy to Fixed
 2. Front Lens: 60° Viewing Angle
 3. Long Operating Time: Up to 20,000hrs
 4. Front Lens Diameter: 34 mm
 5. Front Lens Type: Optical Grade Plastic
 6. Net Weight: 45 g
 7. Total Length: 50 mm
 8. Model Power: 4 W
 9. Power Input: 12V AC/DC
 10. LED Light Source: 780 mA
 11. Optimized Thermal Management: Body temperature Below 60°C
 12. No UV or IR radiation

» Luminous

- 6000K 150 Lm (White) = Optical Efficiency 40 Lm/W
- 3000K 90 Lm (Warm White) = Optical Efficiency 25 Lm/W

» Product Parameters

- 6000K 100 cm = 120 lux
- 3000K 100 cm = 100 lux



www.fuji.com.tw



數位蘋果網 LED 產品眾多 本公司從事為響應世界節能、減碳之潮流，特別引進LED燈泡、燈管，並從事產品內銷及外銷，並具有LED設計燈具設計與開發能力。歡迎國內外各界配合內外銷。歡迎通路商、貿易商、室內設計師、燈飾店、水電行..等同行洽談專案、外銷、大量產購、批發，歡迎洽詢，蔡先生 0986-606070。



Green Lights 台灣製造，符合無鉛製程，具多國安規

FCC Certification NO. 認證號碼：TB08073369

CE Certification NO. 認證號碼：BT 0806061004

RoHS Certification NO. 認證號碼：BTRS0806063003